

# ABLPACK

---

## MACHINE & MOLD

Series of automatic aluminum foil containers making machines can be customized

MADE *in* FAITH



Shanghai ABL Baking Pack Co., Ltd.

## H-TYPE FIX STROKE PRESS



### INTRODUCTION

- The Press which offers a large tool area is optimized for fast mould change and easy setup. The shut height is adjustable according to the mould requirement. The Press has 12PLC controlled solenoid valves with independent pressure regulators for optimal tool setup and adjustment. The press is also equipped with 6 additional pressure tanks for optimal air distribution.
- The operator of the machine only has to set up the packaging requirement (pcs to count) at the touch screen and collect the finished counted and stacked products on the end of the line.

### PARAMETER

| MODEL   | Data                         |
|---|------------------------------|
| Model   | ABL-45/ABL-55/ABL-63         |
| Nominal Force   | 450/550/630KN                |
| Nominal Force distance  | 4mm                          |
| Slide Block Stroke(optional)  | 180/220/240mm                |
| Stroke Time   | 35-70times/min               |
| Max. Die Height   | 380/400/400mm                |
| RAM Adjustment Height   | 80mm                         |
| Magnetic Valve  | 6 Group SMC Magnetic Value   |
| Work Block Dimension (front &back* left & right * thickness) (increase cope hole) | 900*200*300<br>Moving platen |
| Work Plate Dimension (front & back*left & right)                                  | 225x400/225x400/360x480mm    |
| Install Hole Dimension of Work Plate  | 145x360/145x360/320x380mm    |
| Shank Hole Size (dimension*depth)   | Φ60*deep 80mm                |
| Stand column distance   | 630mm                        |
| Air Pressure  | 0.6/Mpa                      |
| Gasholder   | 4                            |
| Shock Pad ( Type: S78-10-05 )   | 4                            |
| Voltage & Frequency (Optional)  | 415V/380V-50HZ-3PHASE        |
| Total Power   | 9.7/9.7/13KW                 |
| Total Dimension (L x W x H)   | 7000 x 2800 x 3600mm         |
| Machine Weight (N.G.)   | 6500kg/6500kg/7000kg         |

### PARAMETER

| MODEL   | Data                         |
|---|------------------------------|
| Model   | ABL-80                       |
| Nominal Force   | 800KN                        |
| Nominal Force distance  | 4mm                          |
| Slide Block Stroke(optional)  | 240/280mm                    |
| Stroke Time   | 35-70times/min               |
| Max. Die Height   | 500mm                        |
| RAM Adjustment Height   | 80mm                         |
| Magnetic Valve  | 12Group SMC Magnetic Value   |
| Work Block Dimension (front &back* left & right * thickness) (increase cope hole) | 900*200*300<br>Moving platen |
| Work Plate Dimension (front & back*left & right)                                  | 520x750mm                    |
| Install Hole Dimension of Work Plate  | 470x470mm                    |
| Shank Hole Size (dimension*depth)   | Φ60*deep 80mm                |
| Stand column distance   | 1480mm                       |
| Air Pressure  | 0.6/Mpa                      |
| Gasholder   | 6                            |
| Shock Pad ( Type: S78-10-05 )   | 4                            |
| Voltage & Frequency (Optional)  | 380V-50HZ-3PHASE             |
| Total Power   | 20KW                         |
| Total Dimension (L x W x H)   | 7000 x 2000 x 3700mm         |
| Machine Weight (N.G.)   | 8000kg                       |

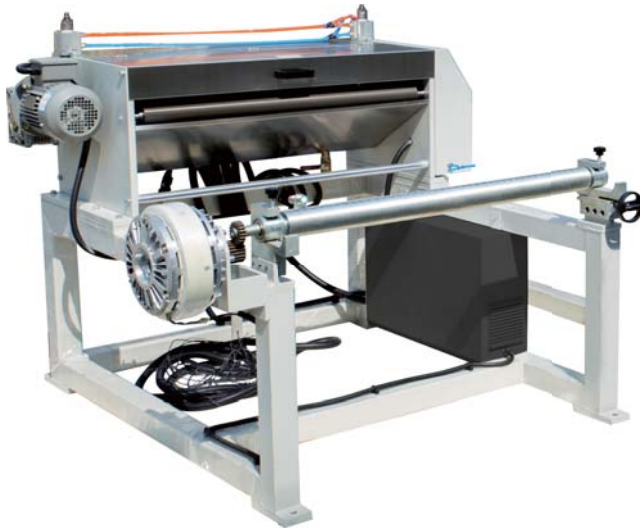
### ADVANTAGES

1. Welded body with steel plate and high intensity.
2. Main motor is made by Siemens.
3. Adopts combined pneumatic friction clutch and brake.
4. Cluster gear adopts the flooding oil lubrication.
5. Six-face rectangle lengthen guide;
6. Equipped with hydraulic overload protecting device.
7. Equipped with lifting balance cylinder.

## C-TYPE FIX STROKE PRESS



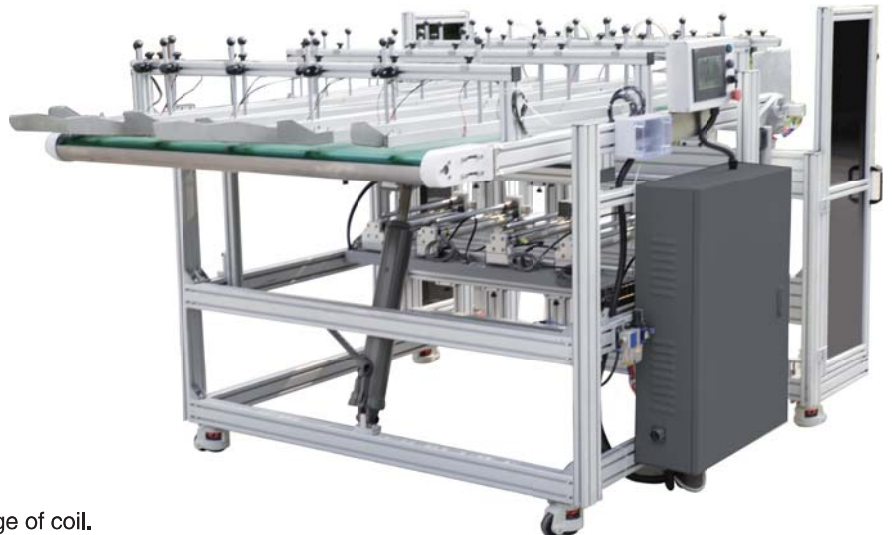
## FEEDING(DECOILER)



### ADVANTAGES

- 1. Designing for labor saving and production efficiency.
- 2. Stack trays and containers of different dimensions.
- 3. Easy to operate and adjust based on customize requirements

## AUTOMATIC STACKER



### ADVANTAGES

- 1. Precise foil supply.
- 2. Stainless steel lubrication tank.
- 3. Reel shaft system for quick and easy exchange of coil.

## SCRAP PRESS

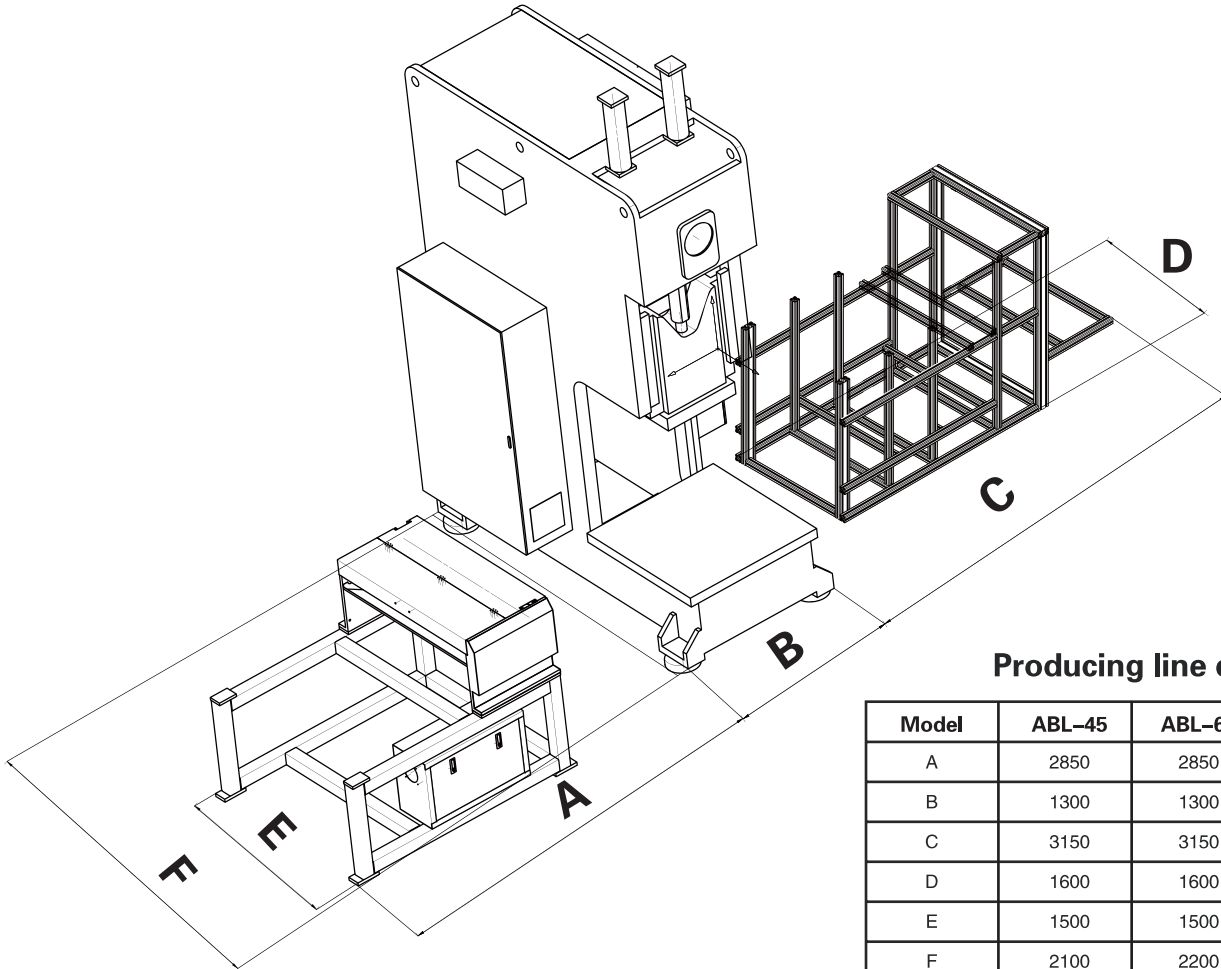
### INTRODUCTION

- The scrap collector & press automatically convey the aluminum foil scrap of your production into a collecting bin where it will be compressed into small blocks for convenient handling.

### ADVANTAGES

- 1. Automatic conveying.
- 2. Compresses the scrap to compact cubes.
- 3. Can handle up to 2 machines.
- 4. Low noise.
- 5. One step recycle.
- 6. Reduced labor and transportation.



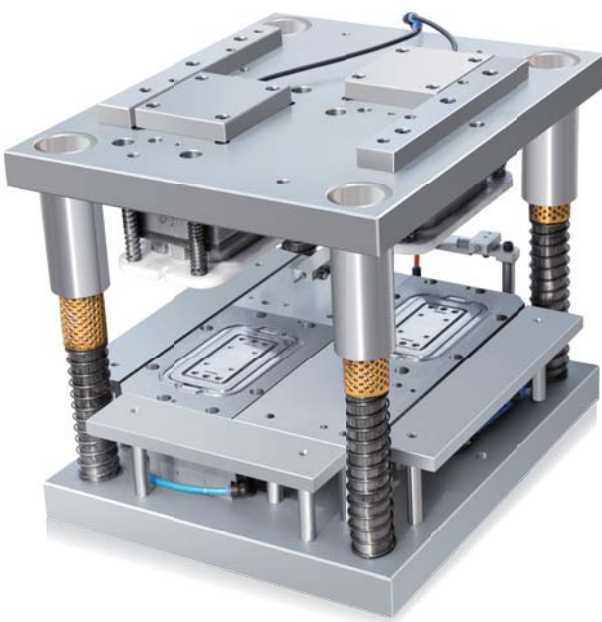


**Producing line diagram**

| Model | ABL-45 | ABL-63 | ABL-80 |
|-------|--------|--------|--------|
| A     | 2850   | 2850   | 3400   |
| B     | 1300   | 1300   | 1500   |
| C     | 3150   | 3150   | 3150   |
| D     | 1600   | 1600   | 2150   |
| E     | 1500   | 1500   | 1900   |
| F     | 2100   | 2200   | 2150   |

unit:mm

**MOLD OF ALUMINUM FOIL LID**

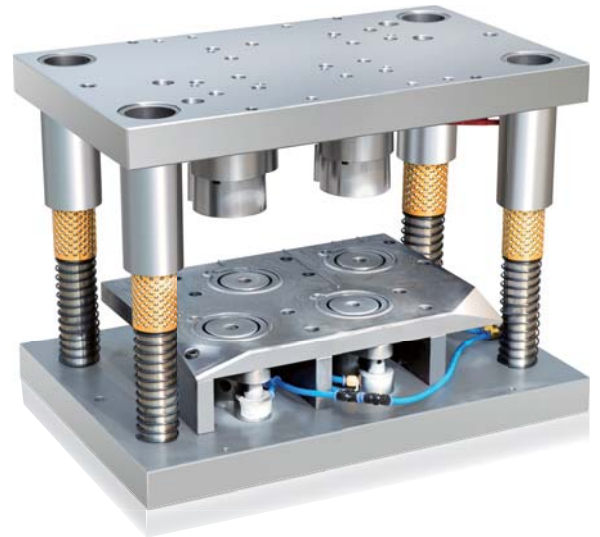
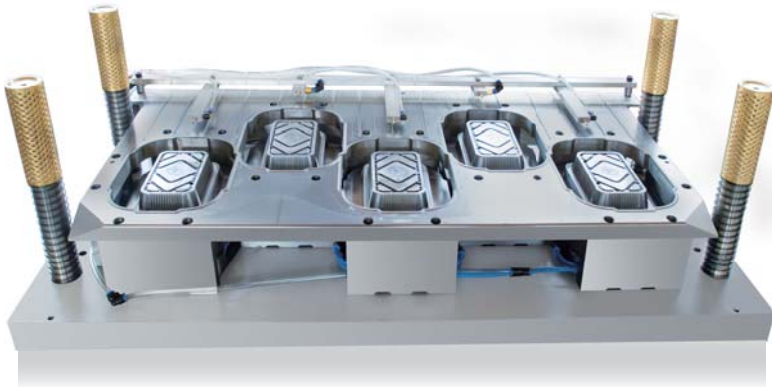


**INTRODUCTION**

- We have long experience to work with Aluminum container mould for our own production, and customers' requirements to manufacture. Our high technology moulds are easy to operate and maintain.
- All of our tools are made by high quality steel. Flow areas heat treated for proper hardness. Our molds ensure reliable tools with long life. We can build the mould basic on our Customers' requests, with different trim configurations including Full Curl(G rim), Hemmed Vertical Edge (L rim), Interrupted Vertical Curl(IVC) and so on.
- We can produce the mould according our Customers' requests with different shapes and sizes of containers, as well as the number of cavities in the mould.

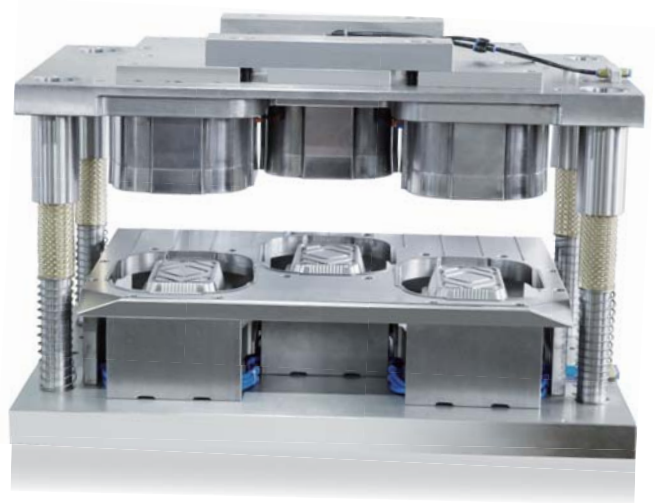


**MOLD OF ALUMINUM FOIL CONTAINER**



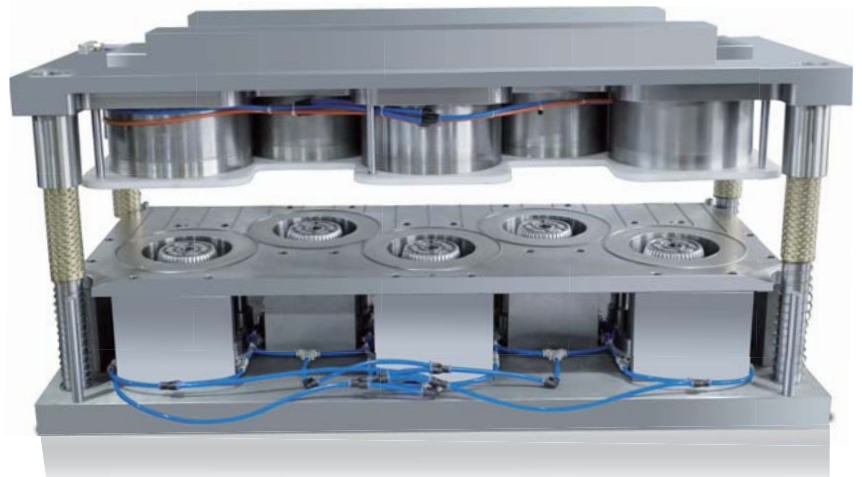
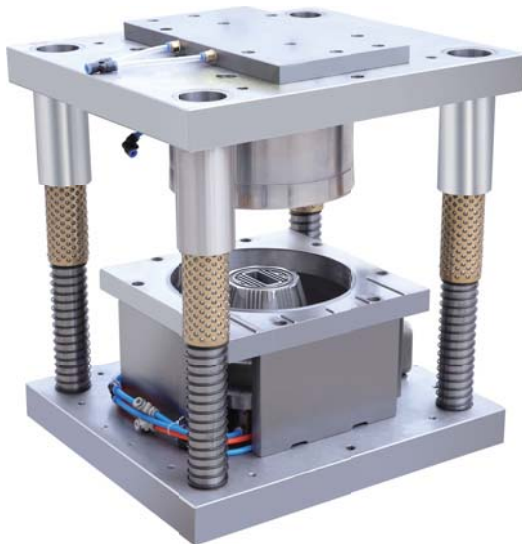
**ADVANTAGES**

- 1.As the standard of European mold, meets the sanitary rule of food-grade no-wash container production, solid structure (1100kg mold), the mold steel adopted is more wear-resistant, higher processing accuracy, 1-year after-sales warranty



**ADVANTAGES**

- 2.Superior structure design can realize high speed automatic stacking production
- 3.The design of meal boxes and containers is optimized with better strength
- 4.Production waste rate is lower
- 5.Good applicability for different alloy aluminum foil, like 8011/3003/8006 can be applied



pneumatic sealing machine (4 cavity)

|                   |                |
|-------------------|----------------|
| brand             | <b>ABLPACK</b> |
| Length            | 92cm           |
| Width             | 75cm           |
| Height            | 156cm          |
| Applicable models | AP320\AP450    |
| Voltage           | 220V           |
| Sealing time      | 1~3.0S         |



Manual aluminum foil sealing machine

|                     |                              |
|---------------------|------------------------------|
| Length              | 33cm                         |
| Width               | 33cm                         |
| Height              | 46cm                         |
| Applicable models   | All sealing container models |
| Voltage             | 220V                         |
| Sealing temperature | 220-250°C                    |
| Sealing time        | 0.5~2.0S                     |

Manual plastic sealing machine

|                     |                              |
|---------------------|------------------------------|
| Length              | 50cm                         |
| Width               | 52cm                         |
| Height              | 72cm                         |
| Applicable models   | All sealing container models |
| Voltage             | 220V                         |
| Sealing temperature | 220-250°C                    |
| Sealing time        | 0.5~2.0S                     |



---

Manual plastic sealing machine

|                     |                              |
|---------------------|------------------------------|
| Length              | 58cm                         |
| Width               | 32cm                         |
| Height              | 64cm                         |
| Applicable models   | All sealing container models |
| Voltage             | 220V                         |
| Sealing temperature | 220-250°C                    |
| Sealing time        | 0.5~2.0S                     |

---



---

pneumatic sealing machine

|                     |                              |
|---------------------|------------------------------|
| Length              | 58cm                         |
| Width               | 32cm                         |
| Height              | 64cm                         |
| Applicable models   | All sealing container models |
| Voltage             | 220V                         |
| Sealing temperature | 220-250°C                    |
| Sealing time        | 0.5~2.0S                     |

---

NOTE: There are 7 types of pneumatic sealing machines

# International Quality

Safe and healthy

Manual, semi-automatic, fully automated machine matched with series of high-end sealed aluminum foil boxes.

It helps bakery food industry, Electronic Industry, Cosmetic Industry and other industries to upgrade innovation of E-commerce and cold chain.

The sealing machine is small size, good quantity, easily operated, economical and practical.

Just a small sealing machine, do sealing so easily!



# ABLPACK

## MACHINE & MOLD

Made in Faith · Global Sharing



Brand ▼

## ABLPACK

### MACHINE & MOLD

Shanghai Machine & Mould  
No.135 Red Peony Road.XinBang Industypark,  
Songjiang Area , Shanghai , China  
Tel: +86 21 5787 2266 5787 2299-663  
Fax: +86 21 5787 2299-666  
Email:info@ablpack.com  
www.ablmachine.com www.ablmold.com

## bakingpak:

Aluminum foil packaging  
No.1 Meijiabang Road,Songjiang District,  
Shanghai,China.  
Tel: +86 21 57891777  
Fax: +86 21 57891717  
Email:info@ablpack.com  
www.bakingpak.com

## ABLPACK

Shanghai Headquarters  
District, Shanghai,China.  
Tel: +86 21 6272 7778  
Fax: +86 21 6685 7778  
Email:info@ablpack.com  
www.ablpack.com



Alibaba



Website

Sales Hotline:400-1172-887

